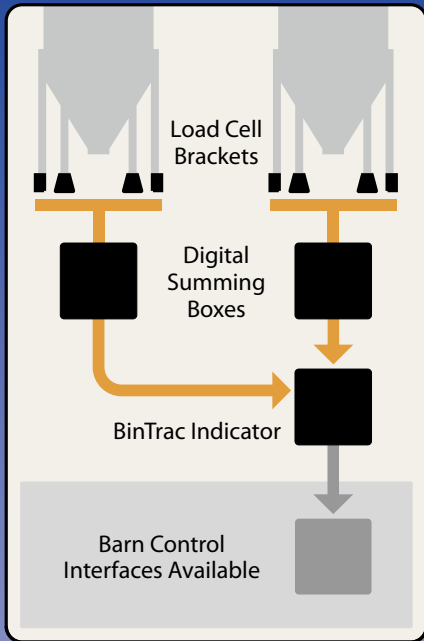


## BIN WEIGHING MODULE



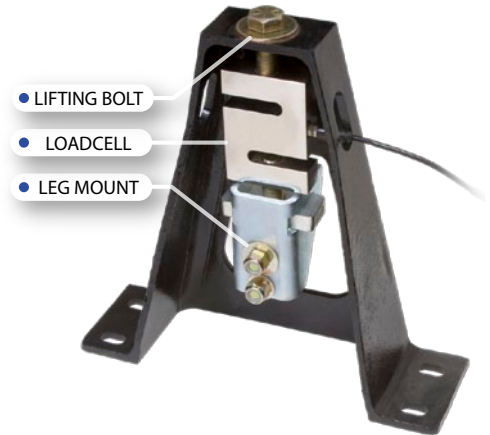
### Accurate and Reliable Feed Bin Scale

#### Stores and displays:

- Current inventory by bin
- 24-hour feed use for past 4 days
- Last 4 feed delivery weights for each bin

#### Load Cells with Patented Mounting Brackets

- Easy Installation
- The bracket does the lifting
- No field calibration required
- Temperature compensated



#### Digital Summing Box



- Minimizes load cell cabling
- Protects load cell from power surges and lightning
- Simplifies troubleshooting

#### BinTrac Indicator



- Numerical weight display
- Up to 4 bins per indicator
- Locate up to 250 ft. from bin
- Low voltage electronics

**One-year warranty covers lightning damage to load cells. Extended warranty available**



### Patented Bin Mounting Brackets

Installation can be completed without emptying existing bins.

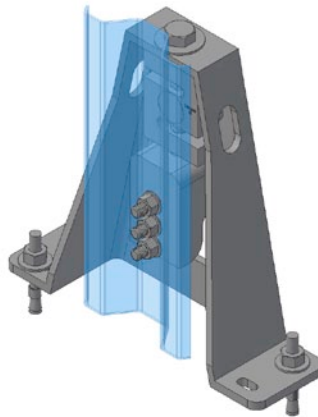


Brackets are secured to the bin leg and concrete pad. A few turns of the lifting bolt raises the bin and transfers the weight to the load cell.

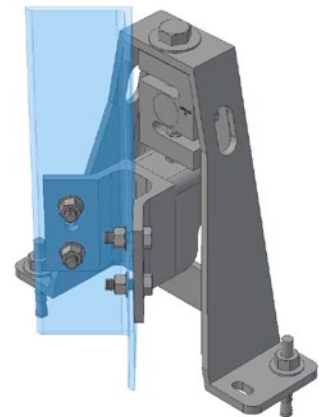
### Mounting Adapters

Adapters are available for different leg styles, providing easy installation on most bins. Typical mounting adapters are shown below. Contact BinTrac for additional options.

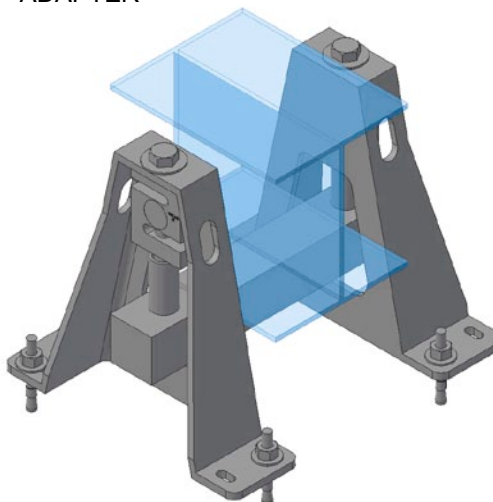
STANDARD  
LEG ADAPTER



ANGLE IRON  
LEG ADAPTER



I-BEAM  
ADAPTER



TUBE LEG  
ADAPTER

